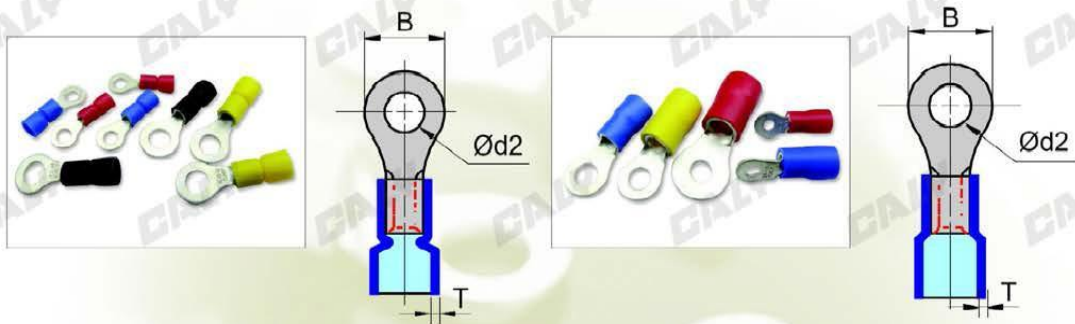


圓型易進式絕緣端子

Insulated Ring Terminals

(easy-entry product)



(general) Insulated Ring Terminals

圓型絕緣端子

ITEM NO.	φd2	B	T	AWG	DINmm ²
● RF 1.25-3S	3.2	5.5			
RF 1.25-3	3.7	5.5			
RF 1.25-3M	3.7	6.6			
RF 1.25-4M	4.3	6.6			
RF 1.25-4	4.3	8.0	0.8	22-18	0.5-1.0
RF 1.25-5	5.3	8.0			
RF 1.25-6	6.4	11.6			
RF 1.25-8	8.4	11.6			
RF 1.25-10	10.5	13.6			
RF 1.25-12	13.0	19.0			
● RF 2-3S	3.2	5.5			
RF 2-3	3.7	8.5			
RF 2-3M	3.7	6.6			
RF 2-4M	4.3	6.6			
RF 2-4	4.3	8.5	0.8	16-14	1.5-2.5
RF 2-5	5.3	9.5			
RF 2-6	6.4	11.6			
RF 2-8	8.4	11.6			
RF 2-10	10.5	13.6			
RF 2-12	13.0	19.0			
● RF 3.5-3S	3.7	7.0			
RF 3.5-4S	4.3	7.0			
RF 3.5-4	4.3	8.0			
RF 3.5-5	5.3	8.0	0.8	14-12	2.5-4
RF 3.5-6	6.4	12.0			
RF 3.5-8	8.4	15.0			
RF 3.5-10	10.5	15.0			
RF 3.5-12	13.0	19.0			
● RF 5.5-3S	3.7	7.2			
RF 5.5-4S	4.3	7.2			
RF 5.5-4	4.3	9.5			
RF 5.5-5	5.3	9.5	0.8	12-10	4-6
RF 5.5-6	6.4	12.0			
RF 5.5-8	8.4	15.0			
RF 5.5-10	10.5	15.0			
RF 5.5-12	13.0	19.0			

ITEM NO.	φd2	B	T	AWG	DINmm ²
● RF 8-4S	4.3	9.0			
RF 8-4	4.3	12.0			
RF 8-5S	5.3	9.0			
RF 8-5	5.3	12.0	1.0	8	10
RF 8-6	6.4	12.0			
RF 8-8	8.4	15.0			
RF 8-10	10.5	15.0			
RF 8-12	13.0	19.0			
● RF 14-4	4.3	12.0			
RF 14-5	5.3	12.0			
RF 14-6	6.4	12.0			
RF 14-8	8.4	16.0	1.2	6	16
RF 14-10	10.5	16.0			
RF 14-12	13.0	22.0			
● RF 22-5S	5.3	12.0			
RF 22-6S	6.4	12.0			
RF 22-8S	8.4	12.0			
RF 22-5	5.3	16.5			
RF 22-6	6.4	16.5	1.4	4	25
RF 22-8	8.4	16.5			
RF 22-10S	10.5	16.5			
RF 22-10	10.5	17.5			
RF 22-12	13.0	22.0			
● RF 38-6S	6.4	15.3			
RF 38-8S	8.4	15.3			
RF 38-10S	10.5	15.3			
RF 38-6	6.4	22.0	1.5	2	35
RF 38-8	8.4	22.0			
RF 38-10	10.5	22.0			
RF 38-12	13.0	22.0			